

# HIGH-PERFORMANCE PARALLEL INTERFACE - Framing Protocol (HIPPI-FP)

maintenance copy of  
American National Standard  
for Information Systems  
X3.210-1992

May 31, 1995

Secretariat:

Computer & Business Equipment Manufacturers Association

**ABSTRACT:** The described protocol provides framing for the High-Performance Parallel Interface, a simple high-performance point-to-point interface for transmitting digital data at peak data rates of 800 or 1600 Mbit/s between data-processing equipment.

**NOTE:**

*This document is an X3T11 maintenance copy of American National Standard X3.210-1992. A list of the proposed changes since approval of the standard is included. Some or all of these changes may be included in a future erratum, amendment, interpretation, or revision to the standard. The committee lists included in the approved standard, and some other boilerplate, have been omitted in this draft. For current information on the status of this document contact the individual shown below.*

**POINT OF CONTACT:**

Roger Cummings (X3T11 Chairman)  
Storage Technology Corporation  
2270 South 88th Street  
Louisville, CO 80028-0268  
(303) 661-6357, FAX (303) 684-8196  
E-mail: Roger\_Cummings@Stortek.com

Carl Zeitler (X3T11 Vice-Chairman)  
IBM Corporation, MS 9440  
11400 Burnet Road  
Austin, TX 78758  
(512) 838-1797, FAX (512) 838-3822  
E-mail: zeitler@ausvm6.vnet.ibm.com

Don Tolmie (HIPPI-FP Technical Editor)  
Los Alamos National Laboratory  
C-5, MS-B255  
Los Alamos, NM 87545  
Phone (505) 667-5502  
FAX (505) 665-7793  
Internet address = det@lanl.gov

**Proposed changes to ANSI X3.210-1992** – (and which have been incorporated in this draft)

Proposed technical changes are preceded with (T), proposed editorial changes are preceded with (E).

Rev 4.4, March 25, 1993 - These changes are both technical and editorial, and have been submitted as an Amendment to HIPPI-FP X3.210-1992.

1. (E) In the Introduction, page iii, deleted the 19th through 28th lines, i.e., from "The information in this document..." through "Clause 7 specifies the data, header, and packet formats."
2. (E) In the Introduction, page iii, replaced figure 1 showing the relationship of HIPPI-FP with other documents. Replaces HIPPI-MI with HIPPI-FC, and replaces HIPPI / IPI-3 with IPI-3 Disk and IPI-3 Tape.
3. (T) In 5.4.1, page 4, change both ULP-id assignments 00000010 = Memory Interface, and 00000011 = Memory Interface Initialization to Reserved. These ULP-ids are no longer needed since we dropped the HIPPI-MI project.
4. (E) In 5.4.1, page 4, clarify the ULP-id assignments for IPI-3 Slave and IPI-3 Master by adding "i.e., IPI-3 Master to Slave" and "i.e., IPI-3 Slave to Master" respectively. This clarification change is to avoid mix ups as happened on an implementation.
5. (T) In 5.4.1, page 4, assign the ULP-id value 00001000 = IPI-3 Peer. This change is needed to support systems conforming to the new IEEE Mass Storage Reference Model.
6. (T) In 5.4.1, page 4, assign the ULP-id value 00001010 = HIPPI-FC. This change is needed to support upper-layer Fibre Channel protocols (FC-4s) for use with the HIPPI-FP and HIPPI physical layer.

Items 2,3, and 4 Change 5.4.1 from:

00000010 = Memory Interface  
00000011 = Memory Interface Initialization  
00000100 = ISO 8802.2 Link Encapsulation  
00000110 = IPI-3 Slave  
00000111 = IPI-3 Master  
1xxxxxxx = Locally assigned

To:

00000010 = Reserved  
00000011 = Reserved  
00000100 = ISO 8802.2 Link Encapsulation  
00000110 = IPI-3 Slave, i.e., IPI-3 Master to Slave  
00000111 = IPI-3 Master, i.e., IPI-3 Slave to Master  
00001000 = IPI-3 Peer  
00001010 = HIPPI-FC mapping to Fibre Channel ULPs  
1xxxxxxx = Locally assigned

7. (E) Add a bibliography in informative Annex C, page 16, to contain the references to the documents that use HIPPI-FP, i.e., have been assigned ULP-id's in 5.4.1.

## Contents

	Page
Foreword.....	ii
Introduction.....	iii
1 Scope.....	1
2 Normative references.....	1
3 Definitions and conventions.....	1
3.1 Definitions.....	1
3.2 Editorial conventions.....	1
4 HIPPI structure.....	2
4.1 Structure.....	2
4.2 Error detection mechanisms.....	2
4.3 Error detection limitations.....	2
5 HIPPI-FP service interface to upper layers.....	3
5.1 Service primitives.....	3
5.2 Sequences of primitives.....	3
5.3 HIPPI-FP service primitive summary.....	3
5.4 ULP data transfer service primitives.....	4
5.5 Control service primitives.....	6
5.6 Status service primitives.....	6
6 HIPPI-PH to HIPPI-FP services.....	7
7 HIPPI data formats.....	8
7.1 Word and byte formats.....	8
7.2 HIPPI-FP packet format.....	8

## Annexes

A State transitions and pseudo-code .....	10
A.1 General.....	10
A.2 State exit.....	10
A.3 Interlocks.....	10
A.4 Source pseudo-code.....	10
A.5 Destination pseudo-code.....	12
B Implementation observations.....	14
B.1 Data transfer service primitive.....	14
B.2 Classes of packets.....	14
C Bibliography.....	16
Alphabetical index.....	17

## Tables

1 Byte assignments.....	8
-------------------------	---

## Figures

1 HIPPI-FP relationship to other entities.....	vi
2 Logical framing hierarchy.....	2
3 HIPPI-FP service interface.....	3
4 Data transfer service primitives.....	4
5 Control service primitives.....	6
6 Status service primitives.....	6
7 Ordered byte stream to HIPPI-PH.....	8
8 Bit significance within a byte.....	8
9 HIPPI-FP packet format.....	9

**Foreword** (This Foreword is not part of American National Standard X3.210-1992.)

This High-Performance Parallel Interface, Framing Protocol (HIPPI-FP) standard defines the data framing for an efficient simplex high-performance point-to-point interface. This interface was previously named the "High-Speed Channel" (HSC). The name was changed October, 1989, to avoid infringing on an existing trademark.

The HIPPI is designed for transmitting digital data at peak data rates of 800 or 1600 Mbit/s between data-processing equipment. This standard responds to an industry market need (expressed both by users and manufacturers) to standardize the interconnection of data processing equipment at these data rates.

This standard was developed by Task Group X3T9.3 of Accredited Standards Committee X3 during 1988, 1989 and 1990. The standards approval process started in 1991.

The American convention of numbering is used i.e., four digit numbers do not include a space and a period is used as the decimal point. This is equivalent to the ISO convention of a space and comma.

<u>ISO</u>	<u>American</u>
0,6	0.6
1 600	1600
1 323 462,9	1,323,462.9

This document includes annexes which are informative and are not considered part of the standard.

Requests for interpretation, suggestions for improvement or addenda, or defect reports are welcome. They should be sent to the X3 Secretariat, Computer and Business Equipment Manufacturers Association, 1250 Eye Street, NW, Suite 200, Washington, DC 20005.

This standard was processed and approved for submittal to ANSI by Accredited Standards Committee on Information Processing Systems, X3. Committee approval of the standard does not necessarily imply that all committee members voted for approval. At the time it approved this standard, the X3 Committee had the following members:

*(List of X3 Committee members included in published standard)*

Subcommittee X3T9 on Computer Input/Output Interfaces, which reviewed this standard, had the following members:

*(List of X3T9 committee members included in published standard)*

Task Group X3T9.3 on Device Level Interfaces, which developed this standard, had the following participants:

*(List of X3T9.3 committee participants included in published standard)*

## Introduction

This High-Performance Parallel Interface, Framing Protocol (HIPPI-FP) standard defines the data framing for an efficient simplex high-performance point-to-point interface.

Characteristics of HIPPI-FP include

- Large block data transfers with framing to split the data into smaller bursts.
- Separation of user control and data information, and early delivery of the control information.
- Identifiers for multiple upper-layer protocols (ULPs).
- Support for simplex topology.
- Support for ULP non-word-aligned and an arbitrary number of byte transfers.
- Error notifications, from the underlying physical layer, e.g., HIPPI-PH, are passed through this framing protocol to notify the upper layers of damaged data.
- Provides a connection-less data service.
- Best effort delivery of data, i.e., datagram.
- Connection control information, which may be used for physical layer switching, is supported.

Figure 1 shows the relationship of this standard (in the solid rectangle) to the other entities shown.

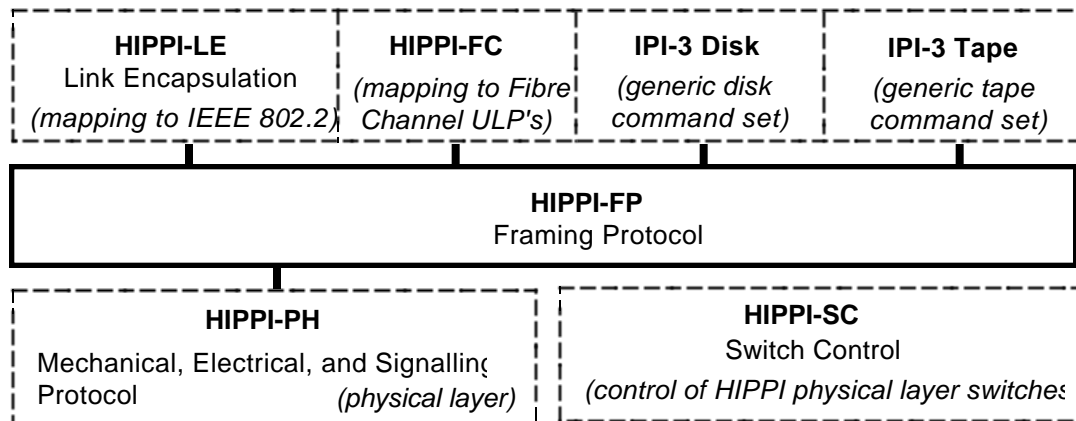


Figure 1 – HIPPI-FP relationship to other entities



American National Standard  
for Information Systems –

# High-Performance Parallel Interface – Framing Protocol (HIPPI-FP)

## 1 Scope

This American National Standard provides data framing for a high-performance point-to-point interface between data-processing equipment. This standard does not protect against certain errors which might be introduced by intermediate devices interconnecting multiple HIPPI-PHs.

The purpose of this standard is to facilitate the development and use of the HIPPI in computer systems by providing common data framing. The standard provides an efficient framing protocol for interconnections between computers, high-performance display systems, and high-performance, intelligent block-transfer peripherals.

## 2 Normative references

The following American National Standard contains provisions which, through reference in this text, constitute provisions of this standard. At the time of publication, the edition indicated was valid. All standards are subject to revision, and parties to agreements based on this standard are encouraged to investigate the possibility of applying the most recent edition of the standard listed below.

ANSI X3.183-1991, *High-performance parallel interface, mechanical, electrical, and signalling protocol specification (HIPPI-PH)*.

## 3 Definitions and conventions

### 3.1 Definitions

For the purposes of this standard, the following definitions apply.

**3.1.1 burst:** A group of words sent by the Source to the Destination. Bursts contain 1 to 256 words. Bursts that contain less than 256 words are called short bursts. On a 32-bit HIPPI-PH, bursts contain an even number of 32-bit words.

**3.1.2 byte:** A group of eight bits. Bytes are packed four per 32-bit word, or eight per 64-bit word.

**3.1.3 connection:** Condition of the HIPPI-PH when data transfers from Source to Destination are possible.

**3.1.4 connection control information (CCI):** A parameter sent as part of the sequence of operations establishing a connection from a Source to a Destination. (The HIPPI-SC document includes examples of CCIs and topologies.)

**3.1.5 Destination:** The equipment at the end of the interface that receives the data.

**3.1.6 optional:** Features that are not required by the standard. However, if any optional feature defined by the standard is implemented, it shall be implemented according to the standard.

**3.1.7 packet:** A data set sent from Source to Destination. A packet is composed of one or more bursts. The HIPPI specification does not limit the maximum packet size, but a maximum size may be imposed by a given HIPPI implementation, or by a ULP. A packet consists of a header, one or two optional ULP data sets, and optional fill.

**3.1.8 service interface (SI):** Connection points to the ULP.

**3.1.9 Source:** The equipment at the end of the interface that transmits the data.

**3.1.10 state:** The current condition of the interface, excluding transitions, as indicated by the control primitives.

**3.1.11 station management (SMT):** The supervisory entity that monitors and controls the HIPPI.

**3.1.12 ULP data set:** The data transferred between the ULP and the HIPPI-FP.

**3.1.13 upper-layer protocol (ULP):** A protocol immediately above the HIPPI-FP service interface.

**3.1.14 word:** A unit of information, consisting of 32 or 64 bits, matching the HIPPI-PH word size. Words contain an ordered set of four or eight bytes.

### 3.2 Editorial conventions

In this standard, certain terms that are proper names of signals or similar terms are printed in uppercase to avoid possible confusion with other uses of the same words (e.g., CLOCK). Any lowercase uses of these words have the normal technical English meaning.

A number of conditions, sequence parameters, events, states, or similar terms are printed with the first letter of each word in uppercase and the rest lowercase (e.g., In, Out, Enabled). Any lowercase uses of these words have the normal technical English meaning.

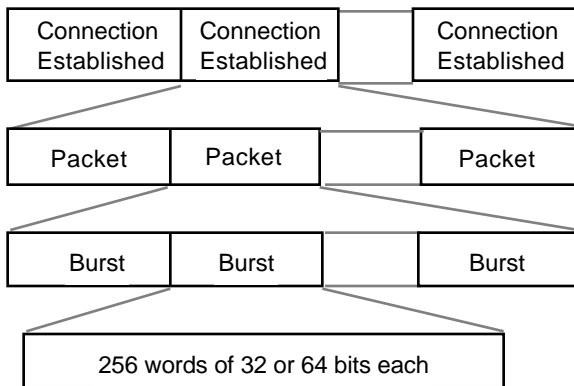
## 4 HIPPI structure

### 4.1 Structure

The HIPPI-FP has been designed in a modular fashion to support simplex or dual simplex configuration requirements.

A compliant HIPPI network shall maintain packet and burst structures from the original Source to the final Destination.

Figure 2 shows the basic organization of the information on the HIPPI.



**Figure 2 – Logical framing hierarchy**

As specified in HIPPI-PH, once a connection is established a packet (or multiple packets) can be sent from the Source to the Destination. Each packet contains one or more bursts. Bursts contain 1 to 256 words. Words contain four or eight bytes. Bursts that contain less than 256 words are called short bursts. A packet contains no more than one short burst. A short burst may be either the first or last burst of a multiburst packet. For error detection HIPPI-PH uses byte parity and a parity-based checksum on each burst.

On a 32-bit HIPPI-PH, bursts shall contain an even number of 32-bit words. Words shall contain an ordered set of bytes as specified in 7.1.

## 4.2 Error detection mechanisms

### 4.2.1 Byte parity

The HIPPI physical layer (HIPPI-PH) uses bit-parallel word transfers, using 32-bit words for an 800 Mbit/s data rate and 64-bit words for a 1600 Mbit/s data rate. An odd-parity bit is also transmitted with each 8-bit byte of a word, i.e., four parity bits are transmitted with each 32-bit word. Hence an undetected error in a word would require a 2-bit error, with both bits being in the same byte.

### 4.2.2 LLRC

The Length-Longitudinal Redundancy Check (LLRC) implements even parity across the individual bits of multiple words in a burst. For example, bit 23 of the LLRC is the even parity of bit 23 of each word in the burst. A burst is nominally 256 words in length (1 Kbytes or 2 Kbytes), but short bursts may contain fewer words. Hence the LLRC would not detect errors where the same bit in an even number of words was incorrect.

In addition, the LLRC calculation includes the length of the burst. Hence, the LLRC would detect cases where a word was dropped or added, i.e., the length received was not the same as what was transmitted.

### 4.2.3 Packet length

A packet is composed of one or more bursts. In HIPPI-FP a length field specifying the number of bytes in the packet is specified. This length field provides a check for dropped or extra bursts. A special case where the packet length is not used is provided for such things as video data to a frame buffer, data collection from experimental equipment, etc.

## 4.3 Error detection limitations

The parity and LLRC will only fail on 4-bit errors in a rectangular pattern. That is, two bits in a byte must fail (undetected by the byte parity check) and the same two bits must fail in another word of the burst (undetected by the LLRC).

Use of the HIPPI-FP packet header length field permits the detection of lost bursts within a packet; however no mechanism of either HIPPI-FP or HIPPI-PH allows the detection of data corruption caused by the substitution of one burst, with good parity and LLRC, for another burst of the same length.



## 5 HIPPI-FP service interface to upper layers

This clause describes the services provided by HIPPI-FP. The intent is to provide the formalism necessary to relate this interface to other HIPPI interfaces. How many of the services described herein are chosen for a given implementation, and whether others may be required, is up to the implementer; however, a set of HIPPI-FP services must be supplied sufficient to satisfy the ULP(s) being used. The services as defined herein do not imply any particular implementation, or any interface.

In this standard the ULP and station management protocol (SMT) are service users, and the HIPPI-FP is the service provider to the ULP and SMT. The interfaces consist of the ULP primitives, prefixed with FP\_, and the SMT primitives, prefixed with FPSM\_.

The HIPPI-FP is also the service user of the HIPPI-PH services, prefixed with PH\_.

Figure 3 shows the relationship of the HIPPI-FP interfaces.

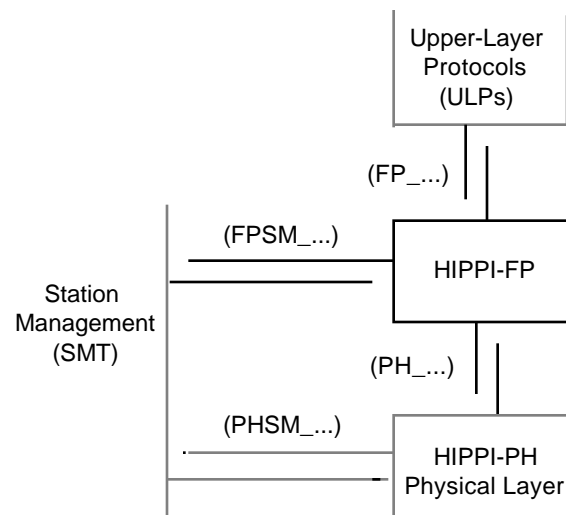


Figure 3 – HIPPI-FP service interface

## 5.1 Service primitives

All of the primitives and parameters are considered as required except where explicitly stated otherwise.

HIPPI service primitives are of four types.

– *Request primitives* are issued by a service user to initiate a service from the service provider. In this standard, a second Request primitive of the same name shall not be issued until the Confirm for the first request is received.

– *Confirm primitives* are issued by the service provider to acknowledge a Request.

– *Indicate primitives* are issued by the service provider to notify the service user of a local event. This primitive is similar in nature to an unsolicited interrupt. Note that the local event may have been caused by a service Request. In this standard, a second Indicate primitive of the same name shall not be issued until the Response for the first Indicate is received.

– *Response primitives* are issued by a service user to acknowledge an Indicate.

## 5.2 Sequences of primitives

The order of execution of service primitives is not arbitrary. Logical and time sequence relationships exist for all described service primitives. Time sequence diagrams, as in figure 4, are used to illustrate a valid sequence. Other valid sequences may exist. The sequence of events between peer users across the user/provider interface is illustrated. In the time sequence diagrams the HIPPI-FP users are depicted on either side of the vertical bars while the service provider is in the center. A ULP or SMT implementation may present multiple requests for services, but the requests shall be serviced one at a time and in the order presented.

## 5.3 HIPPI-FP service primitive summary

### ULP Data Transfer

FP\_TRANSFER.Request (CCI, ULP-id, D1\_Size, D1\_Data\_Set, D2\_Size, D2\_Data\_Set, Keep\_Connection, Start\_D2\_on\_Burst\_Boundary)  
 FP\_TRANSFER.Confirm  
 FP\_TRANSFER\_D1.Indicate (ULP-id, CCI, Status, D2\_Size, D2\_Offset, D1\_Area\_Size, D1\_Data\_Set)  
 FP\_TRANSFER\_D2.Indicate (ULP-id, CCI, Status, D2\_Size, D2\_Offset, D2\_Data\_Set)  
 FP\_TRANSFER.Response

### Control Link

FPSM\_CONTROL.Request (Command, Command\_Parameter)  
 FPSM\_CONTROL.Confirm (Status)

### Link Status

FPSM\_STATUS.Request  
 FPSM\_STATUS.Confirm (Status)  
 FPSM\_STATUS.Indicate  
 FPSM\_STATUS.Response

### 5.4 ULP data transfer service primitives

These primitives, as illustrated in figure 4, shall be used to transfer ULP data from the Source ULP to the Destination ULP.

#### 5.4.1 ULP Identifiers

The ULP-id of the HIPPI-FP header designates the Destination ULP to which the data set is to be delivered.

NOTE - Identifiers registered at the time this standard was approved include the following (shown in binary notation). Later registrations will be added as amendment to this standard.

Processing of packets with unlisted ULPs is undefined.

- | 00000010 = Reserved
- | 00000011 = Reserved
- | 00000100 = ISO 8802.2 Link Encapsulation
- | 00000110 = IPI-3 Slave, i.e., IPI-3 Master to Slave
- | 00000111 = IPI-3 Master, i.e., IPI-3 Slave to Master
- | 00001000 = IPI-3 Peer
- | 00001010 = HIPPI-FC mapping to Fibre Channel ULPs
- | 1xxxxxxx = Locally assigned

#### 5.4.2 FP\_TRANSFER.Request

Issued by the Source ULP to request a data transfer. If a connection to the Destination specified by the CCI does not currently exist, then a connection will be established. At the completion of the transfer the connection may be broken unless Keep\_Connection was specified. The packet format is defined in 7.2, and shown in figure 9.

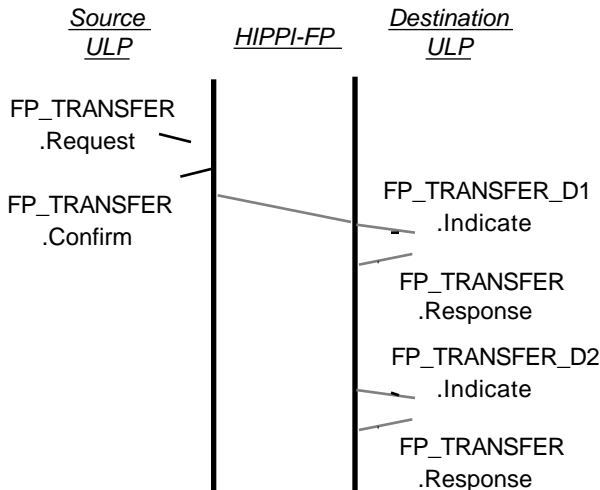


Figure 4 – Data transfer service primitives

Semantics – FP\_TRANSFER.Request (CCI, ULP-id, D1\_Size, D1\_Data\_Set, D2\_Size, D2\_Data\_Set, Keep\_Connection, Start\_D2\_on\_Burst\_Boundary)

The CCI is passed directly to the underlying HIPPI-PH.

The ULP-id identifies the Destination ULP. See 5.4.1.

D1\_Size is the length, in bytes, of the ULP D1\_Data\_Set to be placed in the first burst of the packet. The maximum D1\_Size shall be 1016 bytes. A value of D1\_Size equal to zero indicates a null D1\_Data\_Set and shall cause the FP header D1\_Data\_Set\_Present bit to be set to 0. See 7.2.2.

D1\_Data\_Set is the ULP data set to be placed in the first burst, and delivered separately from the D2\_Data\_Set. The D1\_Data\_Set is intended for control information.

D2\_Size is the length, in bytes, of the ULP data set to be placed in the remainder of the packet. The maximum determinate D2\_Size is 4,294,967,294 bytes (2<sup>32</sup> - 2). A D2\_Size of hexadecimal FFFFFFFF shall mean that the length is indeterminate at the start of the transfer. Indeterminate length packets may be longer or shorter than the maximum determinate size. See B.1 for suggestions on transferring larger size, or indeterminate size, packets. The D2\_Size shall be set to zero to indicate the absence of the D2\_Data\_Set.

D2\_Data\_Set is the ULP data set to be sent. Placement of the D2\_Data\_Set shall be governed by the Start\_D2\_on\_Burst\_Boundary parameter. The D2\_Data\_Set is intended for user data, or the whole data set if separate control information is not used. A ULP may deliver the D2\_Data\_Set to HIPPI-FP in multiple segments. To decrease latency and conserve buffers, implementations may start transmission before receiving all of these segments.

Keep\_Connection true says that another ULP data set with the same routing information is coming, and the physical HIPPI-PH connection should be maintained if possible. When Keep\_Connection is false, the connection may be broken after this packet. Servicing FP\_TRANSFER.Requests from other ULPs may also cause the connection to be broken, e.g., requests to different Destinations, or requests with Keep\_Connection false. Keep\_Connection is a local control parameter and is not passed to the Destination.

Start\_D2\_on\_Burst\_Boundary controls the starting location for the D2\_Area. If true, then the D2\_Area shall start at the beginning of the second HIPPI-PH burst. If false, then the D2\_Area may start in the first burst.

Issued – The Source ULP issues this primitive to the Source HIPPI-FP to request the transfer of the ULP data set to the Destination.

Effect – The Source HIPPI-FP shall accept the ULP data set for transmission. The HIPPI-FP shall build an HIPPI-FP header, as specified in 7.2, and send the packet as a series of bursts to the Destination. If (1) the D1\_Data\_Set does not completely fill the first burst, and (2) Start\_D2\_on\_Burst\_Boundary = true, and (3) the underlying HIPPI-PH supports short first bursts, then this HIPPI-FP shall use a short first burst whose length is sufficient to completely contain the D1\_Data\_Set. If any of the above conditions are not met, then a 256-word first burst shall be used.

### 5.4.3 FP\_TRANSFER.Confirm

This primitive acknowledges the FP\_TRANSFER. Request from the Source ULP.

Semantics – FP\_TRANSFER.Confirm (Status)

Status shall be:

- Accept – the HIPPI-PH has completed the connection and accepted the packet for transmission.
- Reject – the Destination has rejected the connection request, no bursts were transmitted.
- Timeout – the Destination did not respond to the connection request within the timeout period. No bursts were transmitted. See A.4.7

Issued – The HIPPI-FP shall issue this primitive to the Source ULP to acknowledge the FP\_TRANSFER.Request.

Effect – Unspecified

### 5.4.4 FP\_TRANSFER.Indicate

These primitives indicate to the Destination ULP that the D1\_Data\_Set, or D2\_Data\_Set, of a packet, addressed to this particular ULP has been received from the Source.

Semantics –

- FP\_TRANSFER\_D1.Indicate (ULP-id, CCI, Status, D2\_Size, D2\_Offset, D1\_Area\_Size, D1\_Area)
- FP\_TRANSFER\_D2.Indicate (ULP-id, CCI, Status, D2\_Size, D2\_Offset, D2\_Data\_Set)

ULP-id is the ULP to receive the data. See 5.4.1.

CCI is the CCI for the current connection, i.e., received with the PH\_RING.Indicate connection request.

Status denotes whether the data set being delivered was received with errors. Status includes, but is not limited to, errors in the packet.

D2\_Size is the length of the D2\_Data\_Set, in bytes, as received in the FP\_Header. If D2\_Size equals hexadecimal FFFFFFFF, then it is up to the ULP to determine the validity and actual length of the D2\_Data\_Set.

D2\_Offset is the number of unused bytes from the start of the D2\_Area to the first byte of the D2\_Data\_Set. The D2\_Offset is used by the Source and Destination to keep proper word alignment on the D2\_Data\_Set so as to avoid shifting and copying the data to achieve alignment at the Destination. The D2\_Offset allows the Source memory image of the D2\_Data\_Set, even if it does not start on a 64-bit word boundary, to be reproduced at the Destination.

D1\_Area\_Size is the size of the D1\_Area being passed to the ULP. The actual size of the D1\_Data\_Set is self defining within the D1\_Area.

D1\_Area contains the D1\_Data\_Set. It is up to the Destination ULP to determine the size of the D1\_Data\_Set and extract it from the D1\_Area. See 7.2.2.

The D2\_Data\_Set is the D2 ULP data being delivered to the ULP.

Issued – The Destination HIPPI-FP shall issue this primitive to the Destination ULP when a ULP data set has been received. A packet containing both the D1\_Data\_Set and the D2\_Data\_Set shall generate primitives for both the D1\_Data\_Set and the D2\_Data\_Set.

Effect – Unspecified

### 5.4.5 FP\_TRANSFER.Response

This primitive acknowledges a FP\_TRANSFER.Indicate for either the D1\_Data\_Set or the D2\_Data\_Set.

Semantics – FP\_TRANSFER.Response

Issued – The Destination ULP issues this primitive to acknowledge receipt of the FP\_TRANSFER.Indicate.

Effect – The Destination HIPPI-FP is enabled to issue another FP\_TRANSFER. Indicate.

## 5.5 Control service primitives

These primitives, as illustrated in figure 5, shall be used to set parameters and control the interface. Note that a Control primitive can be initiated from either the Source or Destination.

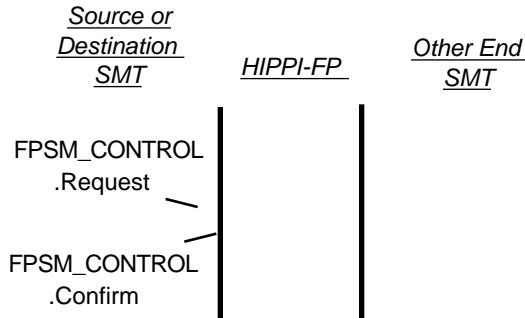


Figure 5 – Control service primitives

### 5.5.1 FPSM\_CONTROL.Request

Issued by either the Source SMT or Destination SMT to set parameters, or otherwise control the local HIPPI-FP. Several functions are specified and others are left to specific implementations.

Semantics – FPSM\_CONTROL.Request (Command, Command\_Parameter)

The Command specifies the function to be performed. The parameters are specific to each function.

The Commands and Command\_Parameters for the Source side include but are not limited to

- Reset
- Break Connection
- Indicate Enable/Disable

Reset resets the HIPPI-FP, breaks any existing connections, and cancels any pending .Request primitives.

Break Connection breaks any existing connections.

Indicate Enable/Disable allows/disallows issuance of FPSM\_STATUS.Indicate primitives.

The Commands and Command\_Parameters for the Destination side include but are not limited to

- Reset
- Break Connection
- Allow/Disallow/Reject Connection
- Indicate Enable/Disable

Reset resets the HIPPI-FP, breaks any existing connections, and cancels any pending .Request primitives.

Break Connection breaks any existing connections.

Allow/Disallow/Reject Connection. Sets Connection\_Enable. Allow enables the Destination to make a connection. Disallow instructs the Destination to ignore connection requests. Reject instructs the Destination to respond to connection requests with rejected connection sequences.

Indicate Enable/Disable allows/disallows the HIPPI-

FP to issue FPSM\_STATUS.Indicate primitives.

Issued – The Source or Destination SMT issues this primitive to perform some control function over the interface as a whole.

Effect – The HIPPI-FP shall perform the function specified.

### 5.5.2 FPSM\_CONTROL.Confirm

This primitive acknowledges the FPSM\_CONTROL.Request to the issuing SMT.

Semantics – FPSM\_CONTROL.Confirm (Status)

Status reports the success or failure of the FPSM\_CONTROL.Request commands.

Issued – The HIPPI-FP shall issue this primitive to the SMT when the command specified in the FPSM\_CONTROL.Request has been accepted.

Effect – Unspecified

## 5.6 Status service primitives

These primitives, as illustrated in figure 6, shall be used to obtain status information from the local HIPPI-FP. Note that a Status primitive can be initiated from either the Source or Destination, and shall only affect the local end of the interface.

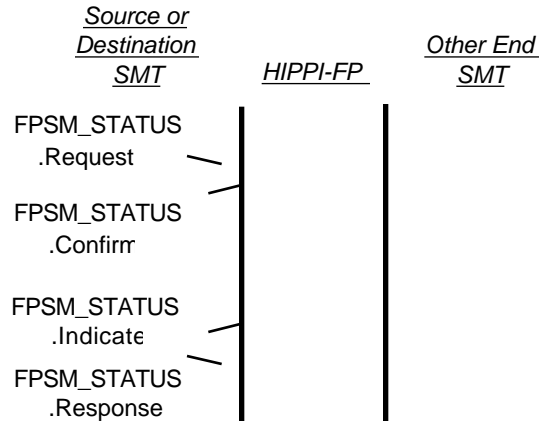


Figure 6 – Status service primitives

### 5.6.1 FPSM\_STATUS.Request

Issued by either the Source SMT or Destination SMT to request a status report.

Semantics – FPSM\_STATUS.Request

Issued – The SMT issues this primitive when it wishes to obtain the status of the HIPPI-FP.

Effect – The HIPPI-FP shall respond with a FPSM\_STATUS.Confirm.

### 5.6.2 FPSM\_STATUS.Confirm

This primitive replies to the previous FPSM\_STATUS .Request with status information.

Semantics – FPSM\_STATUS.Confirm (Status)

The Source side Status shall contain, but is not limited to

- Errors
- Current state of HIPPI connection
- FPSM\_STATUS.Indicates Enabled/Disabled

The Destination side Status shall contain, but is not limited to

- Errors
- Current state of HIPPI connection
- Last CCI Received
- Connections Allowed/Disallowed/Rejected
- FPSM\_STATUS.Indicates Enabled/Disabled

Issued – The HIPPI-FP shall issue this primitive to the SMT in response to a FPSM\_STATUS.Request.

Effect – Unspecified

### 5.6.3 FPSM\_STATUS.Indicate

This primitive informs the SMT entity that a major event has occurred that affects the operation of the HIPPI-FP.

Semantics – FPSM\_STATUS.Indicate

Issued – The HIPPI-FP, when enabled, shall issue this primitive to the SMT whenever a major event is detected. Major events include but are not limited to

- Detection of an illegal state transition

NOTE – If a FPSM\_CONTROL.Request was accepted successfully but not completed, then an FPSM\_STATUS .Indicate could be used to indicate completion.

Effect – Unspecified

NOTE – Upon receipt of this primitive the local SMT entity should issue a FPSM\_STATUS.Request to read status and determine which event occurred.

### 5.6.4 FPSM\_STATUS.Response

This primitive acknowledges the FPSM\_STATUS.Indicate.

Semantics – FPSM\_STATUS.Response

Issued – The SMT issues this primitive to acknowledge receipt of the FPSM\_STATUS.Indicate.

Effect – The HIPPI-FP, if enabled, is allowed to issue another FPSM\_STATUS.Indicate.

## 6 HIPPI-PH to HIPPI-FP services

A summary of the primitives used to connect the HIPPI-FP to the HIPPI-PH is included here. The complete specification of the primitives is contained in the HIPPI Mechanical, Electrical, and Signalling Protocol Specification (HIPPI-PH) document.

Initiate a Connection

- PH\_RING.Request (CCI)
- PH\_RING.Confirm
- PH\_RING.Indicate (CCI)
- PH\_RING.Response

Complete the Connection

- PH\_ANSWER.Request (Accept/Reject)
- PH\_ANSWER.Confirm
- PH\_ANSWER.Indicate (Accept/Reject)
- PH\_ANSWER.Response

Packet Control

- PH\_PACKET.Request (Begin/End)
- PH\_PACKET.Confirm (Accept/Reject)
- PH\_PACKET.Indicate (Begin/End,Status)
- PH\_PACKET.Response

Burst Transfer

- PH\_TRANSFER.Request (Length,Burst)
- PH\_TRANSFER.Confirm (Accept/Reject)
- PH\_TRANSFER.Indicate (Status,Length,Burst)
- PH\_TRANSFER.Response

Terminate the Connection

- PH\_HANGUP.Request
- PH\_HANGUP.Confirm
- PH\_HANGUP.Indicate
- PH\_HANGUP.Response

## 7 HIPPI data formats

### 7.1 Word and byte formats

The data transferred between the HIPPI-PH and the HIPPI-FP shall be 32-bit or 64-bit words. The words shall consist of 32 or 64 signals labeled D00 through D31 or D00 through D63. The size of the words shall match the HIPPI-PH.

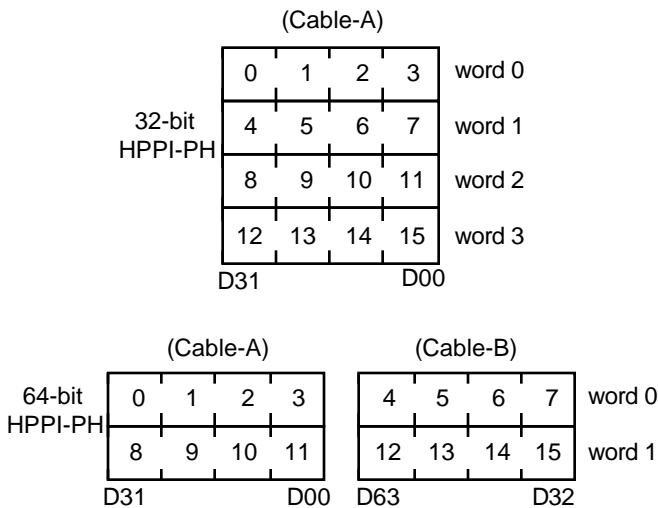
NOTE – The HIPPI-PH defined in the HIPPI Mechanical, Electrical and Signalling Protocol Specification (HIPPI-PH) uses 32-bit words for the 800 Mbit/s option and 64-bit words for the 1600 Mbit/s option.

The data transferred between the HIPPI-FP and the ULP shall be an ordered byte stream. The byte positions within the HIPPI words, for both the 32-bit and 64-bit HIPPI-PHs, shall be as shown in table 1. Byte 0 is the first byte in the ordered byte stream, byte 1 is the second byte, etc.

**Table 1 – Byte assignments**

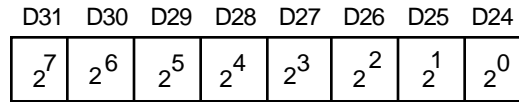
Byte No.	Data signals on 32-bit HIPPI	Data signals on 64-bit HIPPI
0	D31-D24	D31-D24
1	D23-D16	D23-D16
2	D15-D08	D15-D08
3	D07-D00	D07-D00
4	D31-D24	D63-D56
5	D23-D16	D55-D48
6	D15-D08	D47-D40
7	D07-D00	D39-D32

Figure 7 shows the complete mapping of a 16-byte ordered byte stream on an 32-bit HIPPI-PH, and the same ordered byte stream on a 64-bit HIPPI-PH. Byte 0 is the first byte of the byte stream.



**Figure 7 – Ordered byte stream to HIPPI-PH**

Within each byte of the interface, the highest numbered signal shall be the most significant bit of the byte. An example byte is shown in figure 8.



**Figure 8 – Bit significance within a byte**

### 7.2 HIPPI-FP packet format

The packet data presented by the Source ULP with a FP\_TRANSFER.Request primitive shall be transferred to the Destination with an HIPPI-FP header as shown in figure 9. The image is shown as it would appear on Cable-A of a 32-bit HIPPI-PH. The most-significant bit of the individual fields shown in figure 9 is at the left end of the field.

The HIPPI-FP packets shall be composed of three areas, (1) Header\_Area, (2) D1\_Area, and (3) D2\_Area, each starting and ending on a 64-bit boundary. If the D1\_Data\_Set is used as control information, the D2\_Data\_Set is intended as the data associated with that control information. See B.2 for packet examples.

#### 7.2.1 Header\_Area

The Header\_Area shall be the first 64 bits of the packet, and shall be completely contained in the first burst of the packet.

ULP-id (8 bits) designates the Destination ULP to which the packet is to be delivered. See 5.4.1.

P = D1\_Data\_Set\_Present (1 bit) = 1 designates that a D1\_Data\_Set is present in this packet.

B = Start\_D2\_on\_Burst\_Boundary (1 bit) = 0 designates that the D2\_Area starts at or before the beginning of the second burst of the packet. B = 1 designates that the D2\_Area starts at the beginning of the second HIPPI-PH burst of the packet.

D1\_Area\_Size (8 bits) designates the size of the D1\_Area, i.e., the number of 64-bit words between the end of the 64-bit Header\_Area and the start of the D2\_Area.

D2\_Offset (3 bits) designates the number of Offset bytes from the start of the D2\_Area to the first byte of the D2\_Data\_Set.

NOTE – The concatenation of the D1\_Area\_Size and D2\_Offset, referenced to the end of the header area, points to the first byte of the D2\_Data\_Set.

Reserved (11 bits). All of the reserved bits shall be transmitted as zeros.

D2\_Size (32 bits) is the length, in bytes, of the D2\_Data\_Set portion of the packet. The D2\_Size does not include the bytes contained in the D2\_Offset, or in the Fill following the D2\_Data\_Set. A D2\_Size of hexadecimal FFFFFFFF specifies that the D2\_Data\_Set size is unknown at the start of the packet transfer. This means that packets

with an unknown D2\_Data\_Set size cannot be terminated at arbitrary byte boundaries, only at 64-bit HIPPI -PH burst boundaries. A D2\_Size of zero (0) specifies that the D2\_Area and the D2\_Data\_Set do not exist.

**7.2.2 D1\_Area**

The D1\_Area shall immediately follow the Header\_Area, shall be completely contained in the first burst, shall contain an integral number of 64-bit words, and shall contain the D1\_Data\_Set (if present).

If present, the D1\_Data\_Set shall be the first information in the D1\_Area. If the P bit of the Header\_Area = 0, then the D1\_Data\_Set is not present, and the contents of the D1\_Area may be ignored. The D1\_Data\_Set is intended for control information that may be delivered to the Destination ULP on receipt, without waiting for the arrival of other bursts of the packet.

The size of the D1\_Data\_Set shall be self-defining. For example, the HIPPI-IPI, identified by ULP-id = 00000111, uses a variable length D1\_Data\_Set byte string with the length imbedded in the byte string. The maximum size of the D1\_Data\_Set shall be 1016 bytes, i.e., the maximum size that fits in the first burst of a 32-bit HIPPI-PH.

NOTE – The Source and Destination are not symmetrical. At the Source, the ULP determines the D1\_Data\_Set size, but the HIPPI-FP determines the size of the D1\_Area. At the Destination, the whole D1\_Area is passed to the ULP, and the ULP must extract the D1\_Data\_Set from the D1\_Area. The D1\_Data\_Set, if present, is completely contained within the D1\_Area. However, the D1\_Area may be larger than the D1\_Data\_Set, for example, to complete the first burst of a class 3a packet (see B.2.3). A D1\_Area with no D1\_Data\_Set, i.e., P = 0, is also permitted.

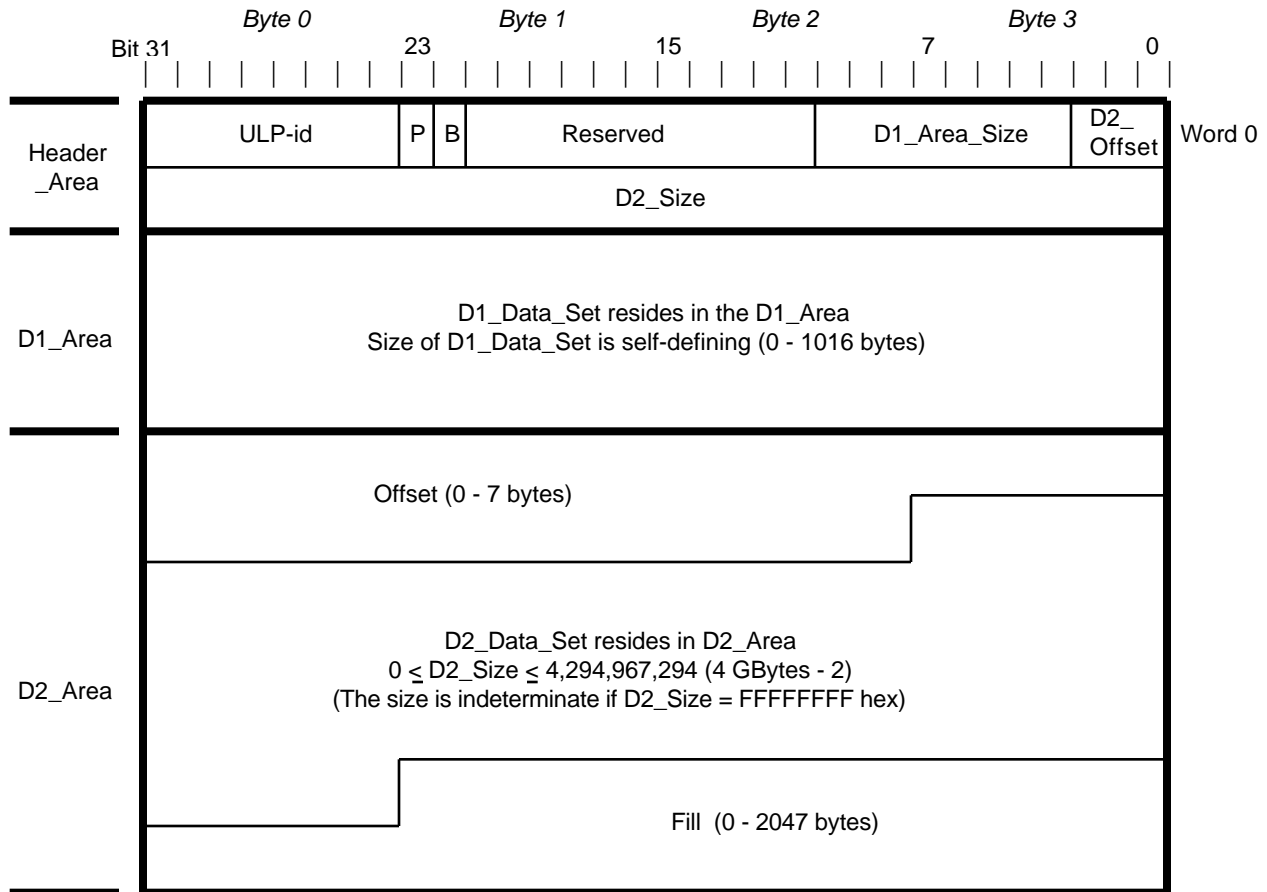
**7.2.3 D2\_Area**

The D2\_Area, if D2\_Size is not zero, shall immediately follow the D1\_Area, shall start and end on a 64-bit boundary, and shall contain the D2\_Data\_Set. If the B bit of the Header\_Area = 1, then the D2\_Area shall start at the beginning of the second HIPPI-PH burst.

The Offset is the unused bytes from the start of the D2\_Area to the first byte of the D2\_Data\_Set.

The D2\_Data\_Set may range in size from zero to an indeterminate number of bytes (see D2\_Size in 7.2.1).

Fill is the unused bytes between the end of the D2\_Data\_Set and the end of the D2\_Area, i.e., the end of the packet. If a D2\_Size of all binary ones is used, then there is no Fill.



**Figure 9 – HIPPI-FP packet format**

## Annex A (informative)

### State transitions and pseudo-code

#### A.1 General

The framing protocol service interface and the HIPPI-PH service interface are tied together by the state transition pseudo-code. The flow diagrams are included as a convenience for the user, the pseudo-code is more complete.

The state transitions and flow diagrams do not describe the means or specific implementation by which the functions are provided. However, other implementations with fewer or additional states should behave in a manner which is compatible with peer protocols implemented identical to the model.

Source states start with the letter S, Destination states with the letter D. Source states within this document are numbered 2Jx0 where J = 0 - 4. Destination states within this document are numbered 2Kx0 where K = 5 - 9. This numbering scheme is used to avoid confusion between the Source and Destination states, and between states in this document and states in the HIPPI-PH physical layer document.

#### A.2 State exit

Within a state that is testing for some condition, the pseudo-code is assumed to loop indefinitely within the state until some exit condition is met.

In the event that control sequence errors are detected, the state machine breaks any existing connection and returns to the disabled state (S2000 or D2500). For the purposes of reporting errors, control sequence errors take precedence over data errors.

#### A.3 Interlocks

The implementer is cautioned that interlock flags or queues may be necessary to enforce the requirement of 5.1 that a second .Indicate or .Request primitive may not be issued by the HIPPI-FP until a .Response or .Confirm primitive of the same name has been received. These interlocks are not illustrated in the pseudo-code.

#### A.4 Source pseudo-code

The Source flow diagram in figure A.1 gives an overview of the Source pseudo-code.

##### A.4.1 S2000

Disabled state; initialize the HIPPI-FP. Enter on Power-up, system master reset, or illegal state transition.

```
Initialize
Issue PH_HANGUP.Request
Set Connection_Present = false
Goto S2010
```

##### A.4.2 S2010

Wait for any connections to be broken. Time T1, specified in the HIPPI-PH document, is the round-trip propagation delay plus action time.

```
IF time T1 timeout
THEN Goto S2020
```

##### A.4.3 S2020

Idle; wait for a transfer request from the ULP.

```
IF PH_HANGUP.Indicate
THEN Issue PH_HANGUP.Response
Set Connection_Present = false
IF FP_TRANSFER.Request
THEN Goto S2030
```

##### A.4.4 S2030

Build the FP header based on the parameters in the FP\_TRANSFER.Request primitive, and form up bursts for transmission.

```
Set D2_Size and D2_Offset as appropriate
Maintain_Connection = Keep_Connection
IF D1_Size not = 0
THEN D1_Data_Set_Present = true
Put D1_Data_Set in first burst
ELSE D1_Data_Set_Present = false
Set D1_Area_Size = n
(where D1_Size ≤ n ≤ Max_Burst_Size - 8)
IF Start_D2_on_Burst_Boundary = true
THEN the D2_Data_Set starts in second burst
ELSE the D2_Data_Set can start in first burst
Form up bursts for transmission
Goto S2040
```



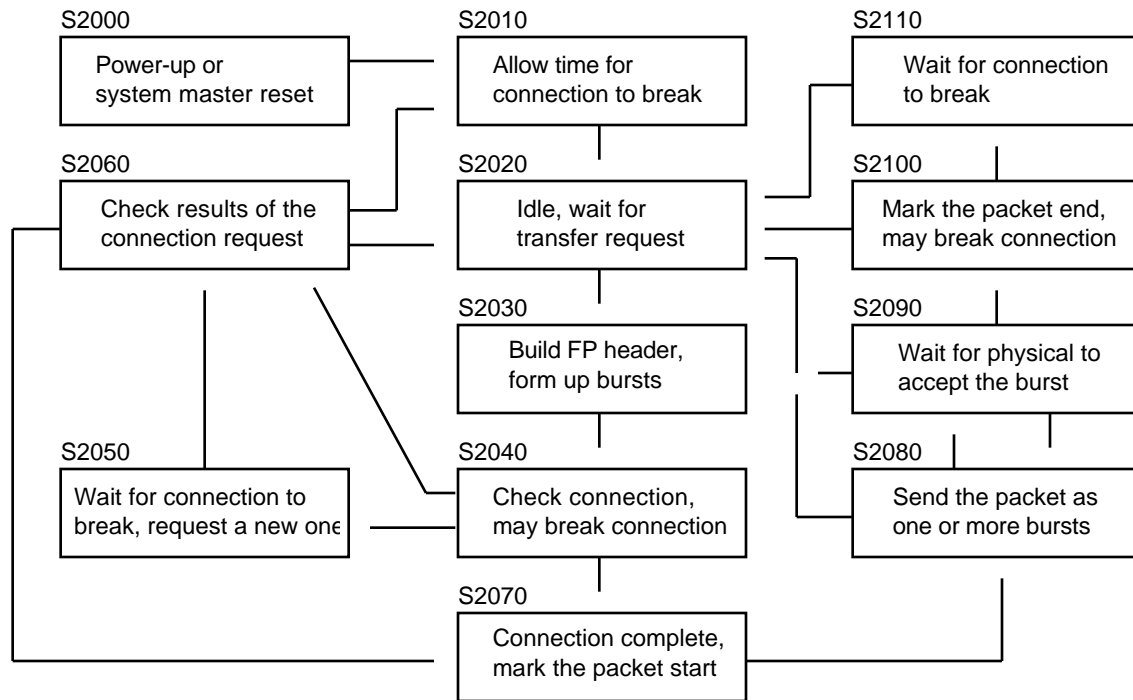


Figure A.1 – Source flow diagram

**A.4.5 S2040**

Check the connection. If no connection exists, then initiate a connection sequence. If a connection already exists to this Destination, then omit the connection sequence and go on to the data transfer. If a connection to a different Destination exists, then break that connection and initiate a connection sequence to the new Destination.

```

IF Connection_Present = false
  THEN Issue PH_RING.Request (CCI)
  Goto S2060
IF PH_HANGUP.Indicate
  THEN Issue PH_HANGUP.Response
  Set Connection_Present = false
  Issue PH_RING.Request (CCI)
  Goto S2060
IF CCI = Old_CCI
  THEN Goto S2070
Issue PH_HANGUP.Request
Goto S2050
  
```

NOTE – Breaking the connection and state S2050 are optional when using the HIPPI with non-switched dedicated interfaces.

**A.4.6 S2050**

Wait for the original connection to be broken before requesting a new connection to this Destination.

```

IF PH_HANGUP.Indicate
  THEN Issue PH_HANGUP.Response
  Set Connection_Present = false
  Issue PH_RING.Request (CCI)
  Goto S2060
  
```

**A.4.7 S2060**

Wait for the Destination to respond to the connection request. Time T2 is the maximum time to wait for a connection to be completed and is used to avoid hanging the HIPPI-FP. No assumptions are made as to where or how timer T2 is implemented. It could be done in the Source HIPPI-FP or the ULP, with hardware, software or a mix of the two. The suggested default value of T2 is 10 seconds.

```

IF PH_ANSWER.Indicate (Accept)
  THEN Set Connection_Present = true
  Set Old_CCI = CCI
  Goto S2070
IF PH_ANSWER.Indicate (Reject)
  THEN Issue FP_TRANSFER.Confirm (Reject)
  Goto S2020
IF time T2 timeout
  THEN Issue FP_TRANSFER.Confirm (Timeout)
  Issue PH_HANGUP.Request
  Goto S2010
  
```

**A.4.8 S2070**

A connection now exists; send the packet. Mark the beginning of the packet and inform the ULP that the transfer request has been accepted.

```

Issue FP_TRANSFER.Confirm (Accept)
Issue PH_PACKET.Request (Begin)
Goto S2080
  
```

NOTE – The FP\_TRANSFER.Confirm is shown being issued before the packet is sent to the Destination. An implementation may optionally move this primitive so that the FP\_TRANSFER.Confirm occurs after the packet has been sent.

#### A.4.9 S2080

Transfer a burst of the packet. If the ULP is delivering data to the HIPPI-FP in segments, make sure that a complete burst of data is available before issuing the PH\_TRANSFER.Request primitive.

```
IF PH_HANGUP.Indicate
  THEN Issue PH_HANGUP.Response
       Set Connection_Present = false
       Goto S2020
ELSE Issue PH_TRANSFER.Request (Length,Burst)
     Decrement burst count
     Goto 2090
```

#### A.4.10 S2090

Wait for the HIPPI-PH to accept the burst, or for the Destination to break the connection. If all of the bursts have not been transmitted, then go back to transmit another burst.

```
IF PH_HANGUP.Indicate
  THEN Issue PH_HANGUP.Response
       Set Connection_Present = false
       Goto S2020
IF PH_TRANSFER.Confirm
  THEN IF all bursts have been transmitted
        THEN Goto S2100
        ELSE Goto S2080
```

#### A.4.11 S2100

All of the bursts have been transmitted, mark the end of the packet. The connection is broken at the completion of the packet unless Keep\_Connection was specified in the FP\_TRANSFER.Request.

```
Issue PH_PACKET.Request (End)
IF Maintain_Connection = true
  THEN Goto S2020
Issue PH_HANGUP.Request
Goto S2110
```

#### A.4.12 S2110

Wait for the connection to be broken.

```
IF PH_HANGUP.Indicate
  THEN Issue PH_HANGUP.Response
       Set Connection_Present = false
       Goto S2020
```

### A.5 Destination pseudo-code

The Destination flow diagram in figure A.2 gives an overview of the Destination pseudo-code.

#### A.5.1 D2500

Disabled state; initialize the HIPPI-FP and break any connections that may exist. Enter on Power-up, system master reset, or illegal state transition.

```
Initialize
Issue PH_HANGUP.Request
Goto D2510
```

#### A.5.2 D2510

Wait for the hangup to complete or time T1 to expire. Time T1, specified in the HIPPI-PH document, is the round-trip propagation delay plus action time.

```
IF PH_HANGUP.Indicate
  THEN Issue PH_HANGUP.Response
       Goto D2520
IF time T1 timeout
  THEN Goto D2520
```

#### A.5.3 D2520

Idle; wait for a connection request from the Source HIPPI. Save the CCI for later FP\_TRANSFER.Indicate primitives.

```
IF PH_RING.Indicate (CCI)
  THEN Issue PH_RING.Response
       CCI_Received = CCI
       Goto D2530
```

#### A.5.4 D2530

Accept or reject the connection request from the Source.

```
IF Connection_Enable = Disallow
  THEN Goto D2540
IF Connection_Enable = Reject
  THEN Goto D2550
IF CCI_Received = Unknown or illegal
  THEN Goto D2550
Issue PH_ANSWER.Request (Accept)
Goto D2560
```

#### A.5.5 D2540

Connections are disallowed, wait for the Source to abort this connection request.

```
IF PH_HANGUP.Indicate
  THEN Issue PH_HANGUP.Response
       Goto D2520
```

#### A.5.6 D2550

The connection is being rejected.

```
Issue PH_ANSWER.Request (Reject)
Goto D2520
```

#### A.5.7 D2560

A connection is established. Wait for the start of a packet or a disconnect.

```
Set Packet_Error = false
Set First_Burst_Error = false
IF PH_PACKET.Indicate (Begin)
  THEN Issue PH_PACKET.Response
       Goto D2570
IF PH_HANGUP.Indicate
  THEN Issue PH_HANGUP.Response
       Goto D2520
```

#### A.5.8 D2570

A packet has been started. Wait for the first burst.

```
IF PH_TRANSFER.Indicate
  THEN Goto D2580
IF PH_HANGUP.Indicate
  THEN Issue PH_HANGUP.Response
       Goto D2520
```

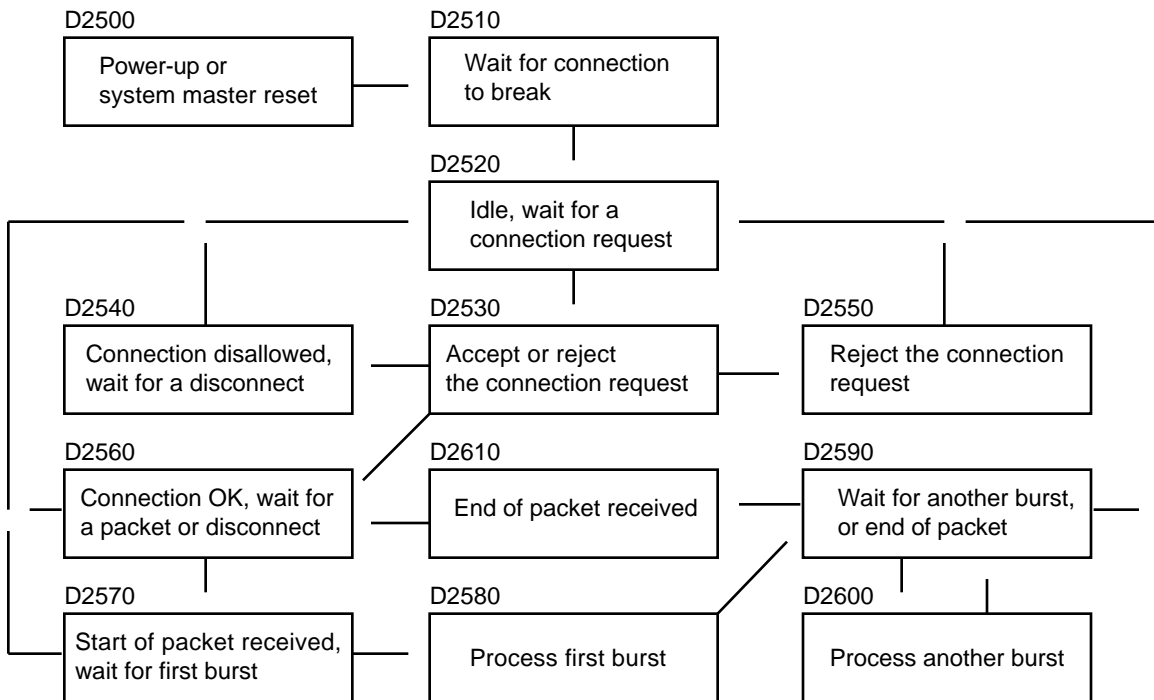


Figure A.2 – Destination flow diagram

**A.5.9 D2580**

The first burst has just been received. If there are errors in the first burst, then record it. Extract the FP header parameters, and if a D1\_Data\_Set is present then pass the D1\_Area to the ULP. The actual size of the D1\_Data\_Set is defined or implied within the D1\_Area.

```

Issue PH_TRANSFER.Response
IF PH_TRANSFER.Indicate (Status) = Error
  THEN Set First_Burst_Error = true
Copy values from FP header
  ULP-id = header.ULP-id
  D2_Size = header.D2_Size
  D2_Offset = header.D2_Offset
IF Header.D1_Data_Set_Present = true (i.e., P bit)
  THEN Status = PH_TRANSFER.Indicate (Status)
  Issue FP_TRANSFER_D1.Indicate (ULP-id,
    CCI_Received, Status, D2_Size,
    D2_Offset, D1_Area_Size,
    D1_Area)
  Goto D2590
ELSE Assemble burst into buffer
  Goto D2590
  
```

NOTE – There are cases where delivery of the packet, even with errors, is highly desirable; but the ULP should treat first burst errors with extreme caution. A first burst error could be in the FP header, e.g., any of the ULP-id, D1\_Data\_Set\_Present, D1\_Area\_Size, D2\_Offset, D2\_Size, or Start\_D2\_on\_Burst\_Boundary, fields may be incorrect.

**A.5.10 D2590**

Wait for more bursts for this packet, or an end of packet indication.

```

IF PH_TRANSFER.Indicate
  THEN Goto D2600
IF PH_PACKET.Indicate (End)
  THEN Goto D2610
IF PH_HANGUP.Indicate
  THEN Issue PH_HANGUP.Response
  Goto D2520
  
```

**A.5.11 D2600**

Another burst has been received. Packet\_Error indicates an error in other than the first burst of a packet.

```

Issue PH_TRANSFER.Response
IF PH_TRANSFER.Indicate (Status) = Error
  THEN Set Packet_Error = true
Assemble burst into buffer
Goto D2590
  
```

**A.5.12 D2610**

The end of packet indication has been received. If the D2\_Data\_Set is present, then pass the D2\_Data\_Set to the ULP.

```

IF D2_Size not equal 0
  THEN Status = First_Burst_Error, Packet_Error
  Issue FP_TRANSFER_D2.Indicate (ULP-id,
    CCI_Received, Status, D2_Size,
    D2_Offset, D2_Data_Set)
Issue PH_PACKET.Response
Goto D2560
  
```

## Annex B (informative)

### Implementation observations

#### B.1 Data transfer service primitive

The data transfer service primitive as defined in 5.4 assumes that the Source ULP knows the packet size. This may not always be the case. The primitives are an abstraction intended to clarify the operation of HIPPI-FP, they do not represent an implementation.

For example, the HIPPI-FP header D2\_Size field has the option of denoting a packet of indefinite size by using the hexadecimal value of FFFFFFFF. This may be useful for transferring such things as pictures, where the interface is started and left running with one packet supplying many frames of picture data. Another example is transferring data from a magnetic tape of unknown format.

In these cases, the Source ULP may not know the complete size when it starts, and the Destination ULP does not care about the size. The Source would need some way to keep feeding data to the interface, and then signalling the end when complete. The Destination ULP would also probably accept the data in smaller portions, and not worry about receiving the end of packet before processing the data.

#### B.2 Classes of packets

Packets can be organized in a variety of ways to take best advantage of the hardware, firmware, and software implementations used, and the applications being supported. The HIPPI-PH define the different classes. This HIPPI-FP document supports all of the classes. Particular implementations may operate more efficiently with some classes than with others.

The abbreviations used in the figures are:

- H = FP header (8 bytes)
- D1\_A = D1\_Area (contains D1\_Data\_Set, if present)
- (O) = 0 - 7 optional Offset bytes
- D2\_D = D2\_Data\_Set
- (F) = Optional Fill

The D1\_Area contains the D1\_Data\_Set, if present, and may contain additional pad bytes to fill out to the end of the D1\_Area. It is assumed that the D1\_Data\_Set contains control information that is associated with the information in the D2\_Data\_Set.

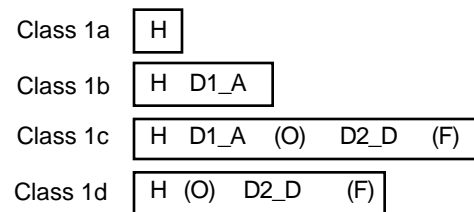
The optional Offset bytes are used to start the D2\_Data\_Set at other than a 64-bit boundary. It is assumed that the D2\_Data\_Set contains user data.

The optional Fill bytes are used to pad out the D2\_Data\_Set to the end of a physical burst.

A full burst is either 1 Kbytes with the 32-bit HIPPI-PH, or 2 Kbytes with the 64-bit HIPPI-PH option.

#### B.2.1 Class 1 – Single short burst

Figure B.1 illustrates class 1 transfers, in which a packet is composed of a single short burst, minimizing the number of CLOCK periods required to transfer data.



**Figure B.1 – Class 1, single short burst**

Class 1a shows only the FP header being transmitted. This may be useful for diagnostic or HIPPI-FP to HIPPI-FP communications.

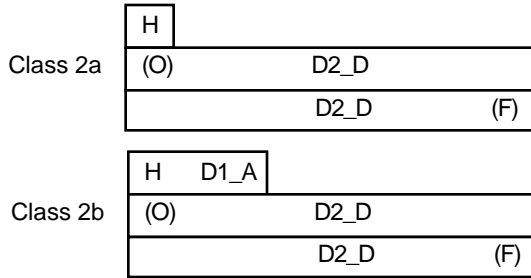
Class 1b includes just the D1\_Area, and is useful for passing short messages. Here the information is less than 1016 bytes, starts immediately after the FP header, and the information length is implied or self-defining.

Class 1c includes both the D1\_Area and D2\_Data\_Set. Optional Offset and Fill bytes may be used to start and terminate the D2\_Data\_Set at other than 64-bit boundaries.

Class 1d is also useful for passing short messages. Here the information is whatever will fit in the first burst, e.g., less than 2040 bytes on a 1600 Mbit/s HIPPI. It may use the optional Offset and Fill bytes to start and end at other than 64-bit boundaries. The information length is defined in the FP header.

**B.2.2 Class 2 – short burst with full burst(s)**

Figure B.2 illustrates class 2 transfers, in which packets are composed of a short first burst followed by one or more full bursts.



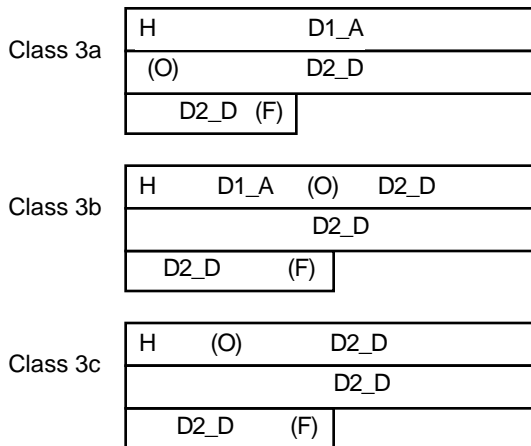
**Figure B.2 – Class 2, short burst with full burst(s)**

Class 2a is useful for separating the FP header from the user data in the D2\_Data\_Set. Here the D2\_Data\_Set is easy to separate since it starts in the second burst.

Class 2b shows the inclusion of the D1\_Area for containing control information associated with the user data starting in the second burst.

**B.2.3 Class 3 – full burst(s) with short burst**

Figure B.3 illustrates class 3 transfers, in which packets are composed of one or more full bursts followed by a short burst as the last burst.



**Figure B.3 – Class 3, full burst(s) with short burst**

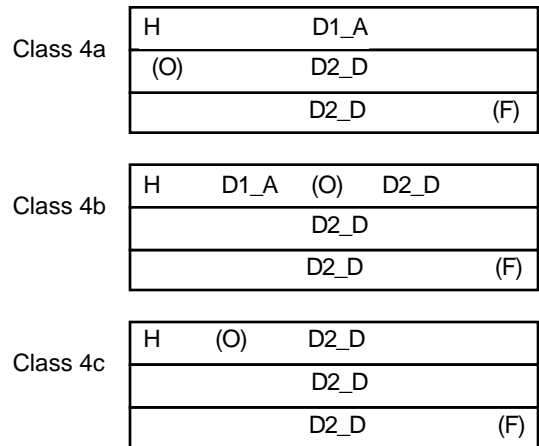
Class 3a is useful for separating the control information (contained in the D1\_Area) from the D2\_Data\_Set user data, and for transmitting a D2\_Data\_Set that does not fill an integral number of bursts.

Class 3b includes both the D1\_Area and the first portion of the D2\_Data\_Set within the first burst.

Class 3c omits the D1\_Area and starts the D2\_Data\_Set in the first burst.

**B.2.4 Class 4 – full burst(s)**

Figure B.4 illustrates class 4 transfers, in which packets are composed of one or more full bursts and no short bursts. Class 4 may be well suited to connections where the Destination operates most efficiently with full bursts.



**Figure B.4 – Class 4, full burst(s)**

Class 4a shows starting the D2\_Data\_Set in the second burst for ease of separation, and putting the D1\_Area in the first burst (even if the D1\_Data\_Set control information does not completely fill the first burst).

Class 4b includes both the D1\_Area control information and the start of the D2\_Data\_Set user data within the first burst. This may be useful if the D2\_Data\_Set does not completely fill an integral number of bursts.

Class 4c omits the D1\_Area entirely, and starts the D2\_Data\_Set in the first full burst.

## Annex C (informative)

### Bibliography

The following documents are upper-layer protocols of HIPPI-FP and are assigned ULP identifiers in 5.4.1:

ANSI X3.218-1993, Information systems, *High-performance parallel interface - Encapsulation of ISO 8802-2 (IEEE Std 802.2) logical link control protocol data units (HIPPI-LE)*.<sup>1)</sup>

ANSI X3.xxx-199x, Information systems, *High-performance parallel interface - Mapping of fibre channel signalling protocol (HIPPI-FC)*.<sup>2)</sup>

ANSI/ISO 9318-3-1990, Information technology, *Intelligent peripheral interface - Part 3: Device generic command set for magnetic and optical disk drives (IPI-3 Disk)*.<sup>3)</sup>

ANSI/ISO 9318-4-1990, Information technology, *Intelligent peripheral interface - Part 4: Device generic command set for magnetic tape drives (IPI-3 Tape)*.<sup>4)</sup>

---

1) Uses ULP-id = ISO 8802.2 Link Encapsulation.

2) Uses ULP-id = HIPPI-FC, which provides HIPPI physical layer transport for Fibre Channel upper level, FC-4, protocols.

3) A revision to this standard uses ULP-id's = IPI-3 Slave, IPI-3 Master, and IPI-3 Peer.

4) A revision to this standard uses ULP-id's = IPI-3 Slave, IPI-3 Master, and IPI-3 Peer

## Alphabetical index

- B bit.....7.2.1, 7.2.3
- Bit ordering.....7.1
- Burst.....3.1.1, 4
  - receiving first burst.....A.5.9
  - receiving other bursts.....A.5.10, A.5.11
  - sending.....7.2.2, A.4.4, A.4.9, A.4.10
  - short burst.....3.1.1, 4, 5.4.2, B.2
  - Start\_D2\_on\_Burst.....5.3, 5.4.2, 7.2.1, A.4.4, A.5.9
- Byte.....3.1.2, 4, 7.1
- CCI.....3.1.4, 5.3, 5.4.2, 5.4.4, A.4.5, A.4.6, A.4.7, A.5.3
  - CCI\_Received.....5.6.2, A.5.3, A.5.4, A.5.9, A.5.12
  - Old\_CCI.....A.4.5, A.4.7
- Characteristics.....Introduction
- Classes of packets.....B.2
- Connection.....3.1.3, 4
  - abort.....A.5.5
  - accept.....A.4.7, A.5.4
  - allow.....5.5.1, 5.6.2
  - break.....5.4.2, 5.5.1, A.2, A.4.2, A.4.5, A.4.6
  - disallow.....5.5.1, 5.6.2, A.5.4, A.5.5
  - make.....5.4.2, A.4.5, A.4.6
  - reject.....5.5.1, 5.6.2, A.4.7, A.5.4, A.5.6
  - Connection\_Enable.....5.5.1, A.5.4
  - Connection\_Present.....A.4.1, A.4.3, A.4.5, A.4.6, A.4.7, A.4.9, A.4.10, A.4.12
  - Keep\_Connection.....5.3, 5.4.2, A.4.4, A.4.11
  - Maintain\_Connection.....A.4.4, A.4.11
- Control primitives.....5.5
- D1\_Area.....5.4.4, 7.2, 7.2.2, 7.2.3, A.5.9, B.2, B.2.1, B.2.2, B.2.3, B.2.4
- D1\_Area\_Size.....5.3, 5.4.4, 7.2.1, A.4.4, A.5.9
- D1\_Data\_Set.....5.3, 5.4.2, 5.4.4, 5.4.5, 7.2.1, 7.2.2, 7.2.3, A.4.4, A.5.9, B.2, B.2.4
- D1\_Data\_Set\_Present.....5.4.2, 7.2.1, A.4.4, A.5.9
- D1\_Size.....5.3, 5.4.2, A.4.4
- D2\_Area.....5.4.2, 7.2, 7.2.1, 7.2.3
- D2\_Data\_Set.....5.3, 5.4.2, 5.4.4, 5.4.5, 7.2.1, 7.2.3, A.4.4, A.5.12, B.2, B.2.1, B.2.2, B.2.3, B.2.4
- D2\_Offset.....5.3, 5.4.4, 7.2.1, A.4.4, A.5.9, A.5.12
- D2\_Size.....5.3, 5.4.2, 5.4.4, 7.2.1, 7.2.3, A.4.4, A.5.9, A.5.12
- Data transfer primitives.....5.4
  - receiving at Destination.....5.4.4, A.5.8, A.5.9, A.5.10, A.5.11
  - sending from Source.....5.4.2, A.4.3, A.4.4
- Disabled state.....A.2, A.4.1, A.5.1
- Errors.....Introduction, 1, 5.4.4, 5.6.2, A.2, A.5.9
  - detection mechanisms.....4.2
  - First\_Burst\_Error.....A.5.7, A.5.9, A.5.12
  - limitations.....4.3
  - Packet\_Error.....A.5.7, A.5.11, A.5.12
  - sequence errors.....5.6.3, A.2, A.4.1, A.5.1
- Fill.....7.2.1, 7.2.3, B.2, B.2.1
- Format.....4
  - bit.....7.1
  - byte.....7.1
  - header.....7.2
  - word.....7.1
- Header.....7.2, A.4.4
- Idle state.....A.4.3, A.5.2
- Master reset.....A.4.1, A.5.1
- Offset.....7.2.1, 7.2.3, B.2, B.2.1
- P bit.....7.2.1, 7.2.2, A.5.9
- Packet.....3.1.7, 4, 7.2
  - begin.....A.4.8, A.5.7, A.5.8
  - classes of packets.....B.2
  - end.....7.2, 7.2.1, 7.2.3, A.4.11, A.5.10, A.5.12
  - indefinite size.....5.4.2, 5.4.4, 7.2.1, B.1
- Primitives.....5.1
  - cancel.....5.5.1
  - from HIPPI-PH.....6
  - interlocks.....5.1, 5.2, A.3
- Reserved.....7.2.1
- Segment.....5.4.2, A.4.9
- Short burst.....3.1.1, 4, 5.4.2, B.2
- Simplex.....Introduction, 4
- SMT.....3.1.11, 5, 5.2, 5.5.1, 5.5.2, 5.6.1, 5.6.2, 5.6.3, 5.6.4
- State notation.....A.1
  - state exit.....A.2
- Status primitives.....5.6
- Timeouts.....5.4.3, A.4.2, A.4.7, A.5.2
- ULP.....3.1.12, 3.1.13
  - ULP-id.....5.3, 5.4.1, 5.4.2, 5.4.4, 7.2.1, 7.2.2, A.5.9, A.5.12
- Word.....3.1.1, 3.1.2, 3.1.14, 4, 5.4.4, 7.1, 7.2.1, 7.2.2